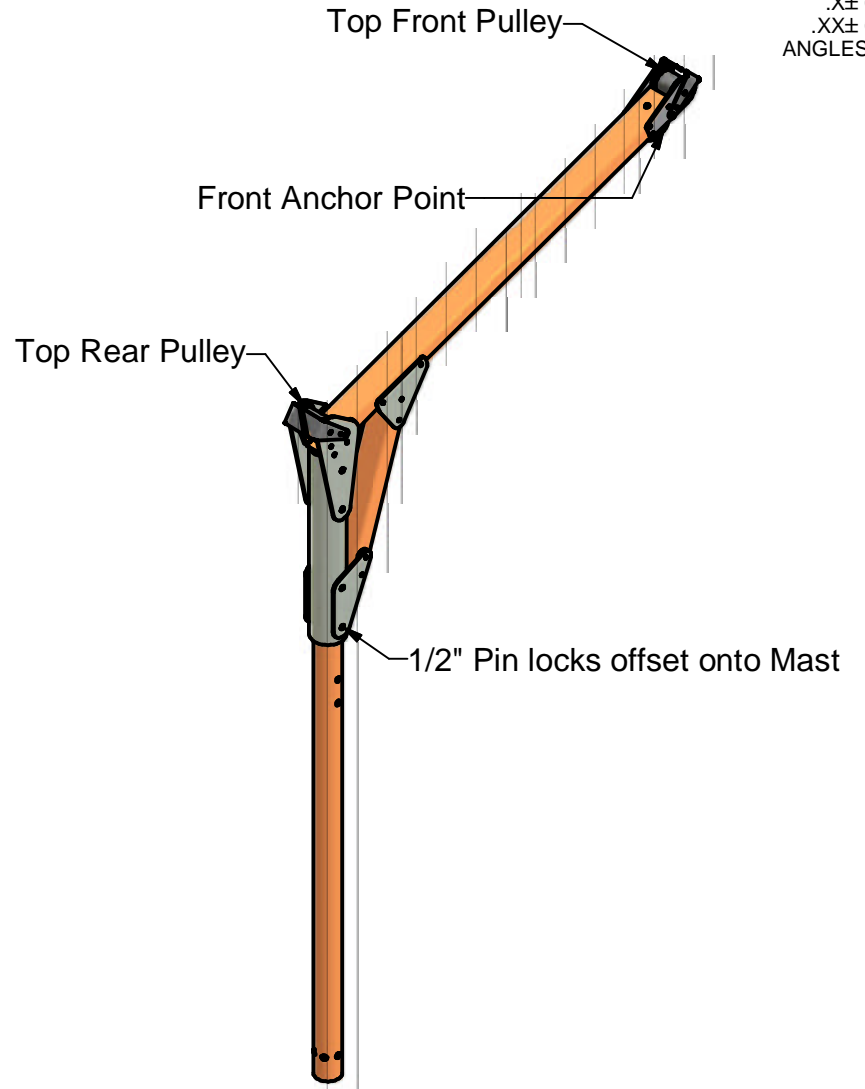
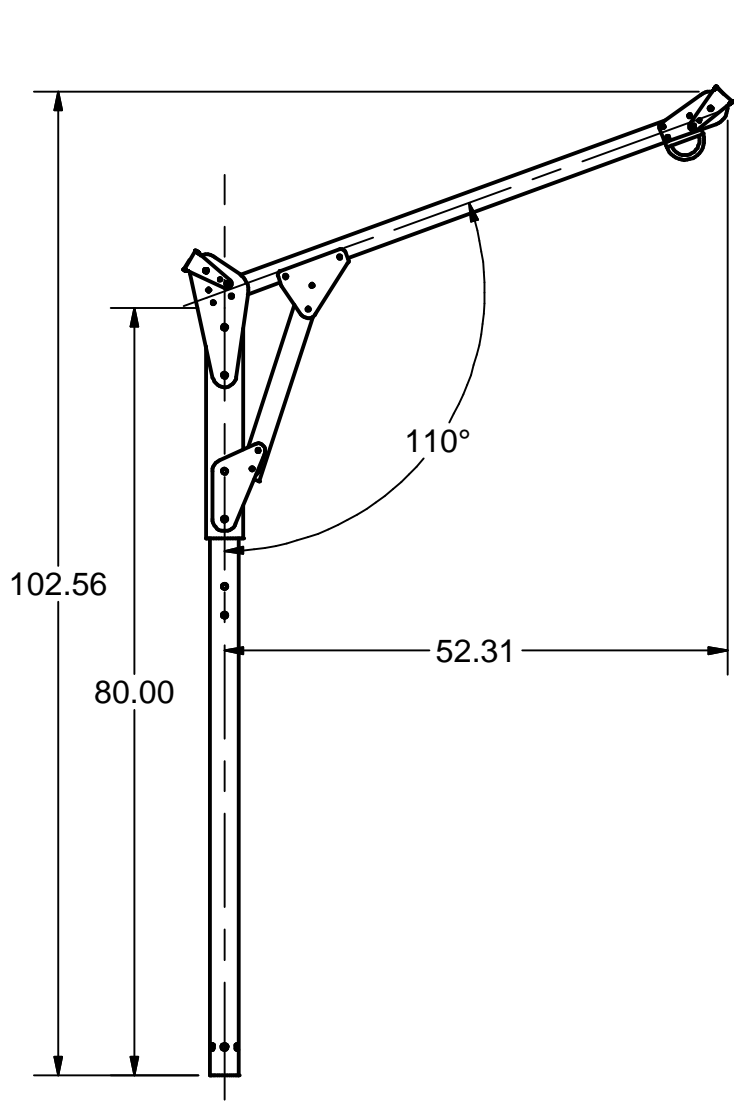


TOLERANCES
 (UNLESS OTHERWISE SPECIFIED)
 .X± 0.040
 .XX± 0.020
 .XXX± 0.010
 ANGLES± 1°

METRIC DIMENSIONS TOLERANCES
 (UNLESS OTHERWISE SPECIFIED)
 .X± 0.60
 .XX± 0.30
 ANGLES± 1°



Weight (est.): 83 Lbs (37.7 Kgs)

Specifications are subject to change without notice.

ITEM #	PART #	QTY	DESCRIPTION		
Tuff Built Products Inc.					
INVENTOR					
DRAWN BY: RGB		DATE: 17/02/2010		SCALE:	DIMENSIONS: INCHES (mm)
CHECKED BY:		DATE:		APPROVED BY:	DATE:
PROJECT: 10490				DWG SIZE: A	REV #: 00
DESCRIPTION: Analog Davit, 52W-102H (2 piece)				SHEET: 1	OF: 1
				DWG #: 50031	

REV #	DATE	DESCRIPTION OF REVISION	BY